

ST0118CH

FAA Supplemental Type Certificate



Installation of Automatic Dependent Surveillance – Broadcast (ADS-B) Provisions and Mode-S Transponders on Boeing 757 Series Aircraft (FAA STC ST01221CH)

OVERVIEW

- » FAA STC ST0118CH

INTRODUCTION

STC ST0118CH supports installation of a laptop stowage/charger assembly in accordance with Electronic Cable Specialists (ECS) Master Data List ECS-980089.

YOUR NEEDS

Designed to assist flight crews with maintaining a clutter free flight deck.

YOUR BENEFITS

The assembly approved by STC ST0118CH allows flight crews to stow a laptop computer when the device is not in use. In addition, the aircraft modification incorporates the ability to charge the laptop computer's battery while the device is stowed.

STC AIRCRAFT EFFECTIVITY

- » Boeing 737-100/-200/-300/-400/-500/-700/-700C/-800/-900/-900ER series aircraft.

STC LIMITATIONS

- » STC only approves the installation of the Laptop Stowage/Charger Assembly.
- » STC does not approve the use of the laptop computer.
- » Laptop Stowage/Charger Assembly is only intended for Class 1 EFB systems per AC 120-76A.

Contact CarlisleIT for usage rights, derivative configurations, and installation lead time (800) 327-9473 • sales@carlisleit.com

STC CONFIGURATIONS

- » Configuration 1: Laptop Stowage/Charger Assembly installation on second observer seat legs; Boeing 737-100/-200/-300/-400/-500/-700 series aircraft.
- » Configuration 2: Laptop Stowage/Charger Assembly installation on second observer seat legs; Relocation of a log book hold to the first observer's seat legs; Boeing 737-300/-500 Series Aircraft.
- » Configuration 3: Modifies Configuration 1 to draw power from a 28 VDC ground service bus Boeing 737-100/-200/-300/-400/-500/-700 series aircraft.
- » Configuration 4: Laptop Stowage/Charger Assembly installation on second observer seat legs; Boeing 737-700/-700C/-800/-900/-900ER series aircraft.
- » Configuration 5: Laptop Stowage/Charger Assembly installation on second observer seat legs; Relocation of a log book hold to the first observer's seat legs; Boeing 737-300/-500 series aircraft.

PRODUCT DESCRIPTION

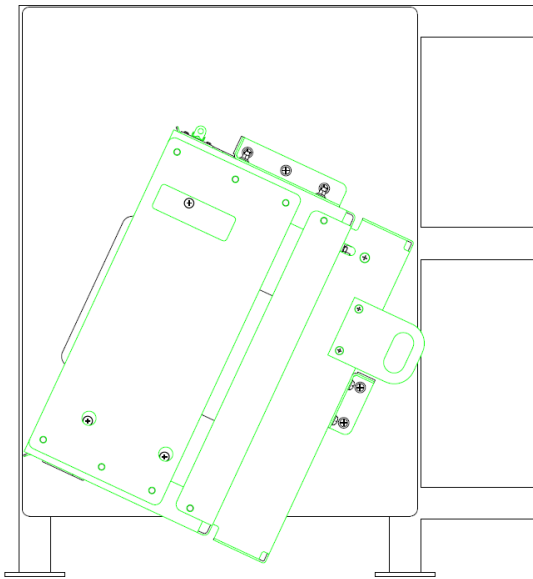
The existing log book holder on the second observer's seat legs will be removed and replaced with a Laptop Stowage/Charger Assembly.

ST0118CH

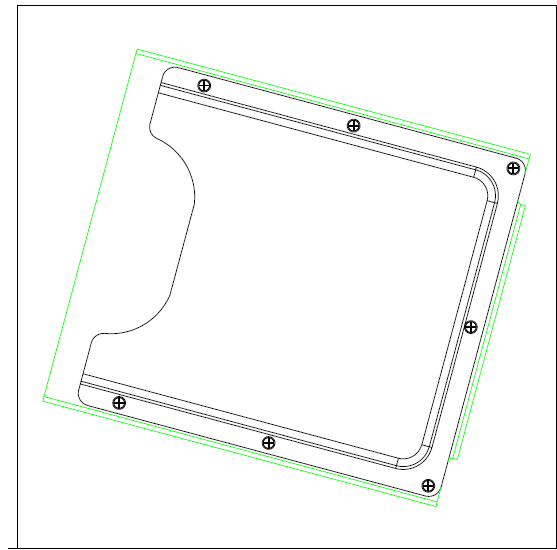
FAA Supplemental Type Certificate

PRODUCT DESCRIPTION

- » The existing log book holder on the second observer's seat legs will be removed and replaced with a Laptop Stowage/Charger Assembly.
- » The existing literature card holder on the first observer's seat legs will be removed and replaced with a new assembly consisting of a literature card holder mounted on a new log book holder.



After Modification
New Laptop Stowage/Charger Assembly
Second Observer Chair Legs



After Modification
New Literature Card & Log Book Holder
First Observer Chair Legs

CONNECT WITH US TODAY

See CarlisleIT's line of **Certification Services** at:
CarlisleIT.com/services/certification-stc-engineering

(+1) 904-494-0549
Sales@CarlisleIT.com